

# Ellis 6030S

Formerly Serenity 48

60 x 30 x 22 ¾ inches



## FEATURES ~

- Deep, ergonomic bathing well
- Extended skirt for above-floor plumbing
- Stepped integral 3T flange
- Pre-leveled support base
- Slip resistant floor
- Premium cast acrylic surface
- Limited lifetime warranty

## AVAILABLE SYSTEMS

### AIR BATH

- Perimeter air injectors
- Variable speed heated-air blower
- Automated purge and dry system
- Electronic control with wave and pulse features
- LED Chromatherapy

### HOTSOAK

- 2 low-profile circulation portals
- 1.5 kW inline maintenance heater
- Ultra-quiet low flow circulation pump
- Electronic one-touch on/off control
- Heat-bent rigid PVC piping

### DRIFTBATH

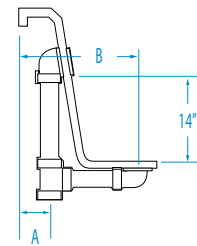
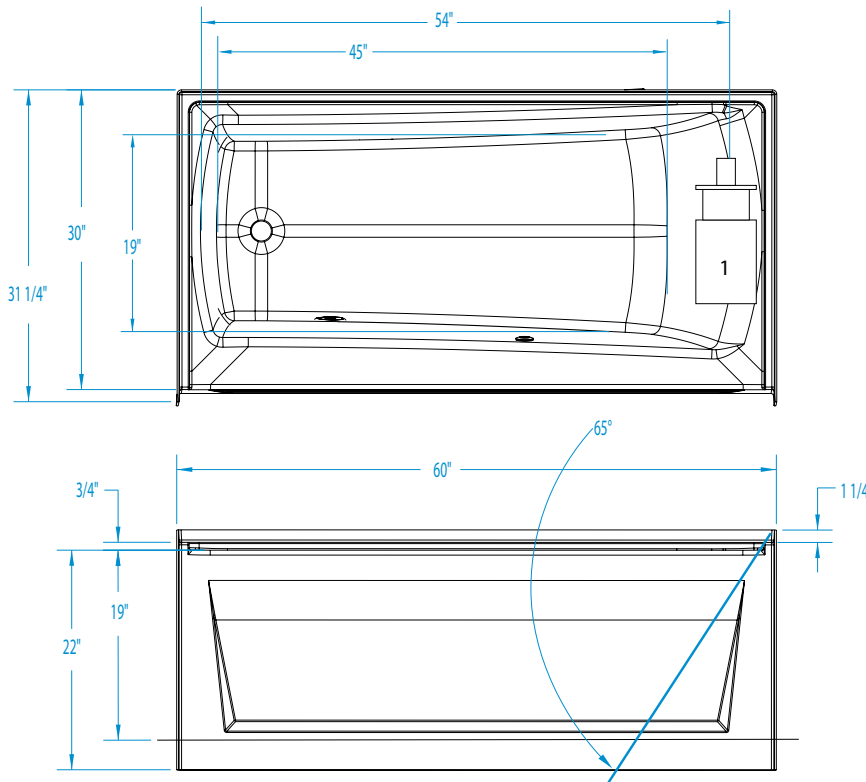
- Up to 70 water portals
- Quiet, energy-efficient .75 hp pump with integrated heat-transfer
- Electronic control
- 4 high-intensity LED Chromatherapy
- Available in White or Biscuit

# Ellis 6030S

Formerly Serenity 48

60 x 30 x 22 3/4 inches

Note: Drop-in Serenity models feature a pre-leveled support base.



**FEATURES** Dimensional Tolerance  $\pm 3/8"$ . Dimensions needed for site preparation should be measured from the unit. Manufacturer assumes no responsibility for preparatory work.

Type and Model #	Material	System	Powered By	Heater	Controls	Drain	Pkg. Wt. lbs
Soaker #W48AIR6030TO	Cast Acrylic	-	-	-	-	LH or RH	120
Hotsoak #W48AIR6030HS	Cast Acrylic	Water circulation	Pump	1.5 kW Inline maintenance	Electronic	LH or RH	150
DriftBath #W48AIR6030DB	Cast Acrylic	Water circulation	Pump	Integrated	Electronic	LH or RH	161
Air Bath #W48AIR6030	Cast Acrylic	Air injection	Variable speed blower	Integrated	Electronic	LH or RH	150

**DIMENSIONS** inches

Width Inches	Depth Inches	Height Inches	Skirt Height
60	31 1/4 / 30	24 1/4 / 22 3/4	22

**SUMP DATA** inches

Capacity to Overflow gal	Min. Operating Capacity gal	WIDTH @ centerline		DEPTH @ centerline	
		Top	Bottom	Top	Bottom
55	30	54	45	22	19

**PLUMBING DIMENSIONS** inches

A	B	Drain to Overflow	Drain Diameter / Clearance
1 1/2	8 1/2	14	2 / 3 1/4

**ELECTRICAL DATA**

Component	Specification	Requirement
Pump (HotSoak)	1/15 HP; 1.3 AMP; 120V	20 AMP; 120V, separate circuit; Class A GFCI
Heater (HotSoak)	1.5 kW; 12 AMP; 120V	
Pump (DriftBath)	3/4 HP; 8.8 AMP; 120V	15 AMP; 120V, separate circuit; Class A GFCI
Heated Blower (Air Bath)	10.5 AMP; 120V	15 AMP; 120V, separate circuit; Class A GFCI

**NOTES:**

- Where applicable, utilize cut-out templates packed with unit for deck cutouts.
- 16 x 16 minimum access required at pump/blower location(s).
- If a (3T) tiling flange is selected, then the keypad is located opposite of the flange.

Each Serenity air bath is equipped with an air heating system to raise the temperature of the air entering the bath. This air temperature will be lower than the bathing temperature of the water, but will help reduce rapid decrease in water temperature. In addition, the air coming from the air jets will feel cool against the skin. This system does not heat the water.