

Olive 6643C Formerly Serenity 8

65 ¾ x 43 ½ x 24 inches



FEATURES ~

- Deep, ergonomic bathing well
- Suitable for undermount installation
- 2-person bathing
- Pre-leveled support base
- Slip resistant floor
- Premium cast acrylic surface
- Limited lifetime warranty



AVAILABLE SYSTEMS

AIR BATH

- Perimeter air injectors
- Variable speed heated-air blower
- Automated purge and dry system
- Electronic control with wave and pulse features
- LED Chromatherapy

HOTSOAK

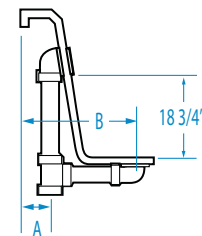
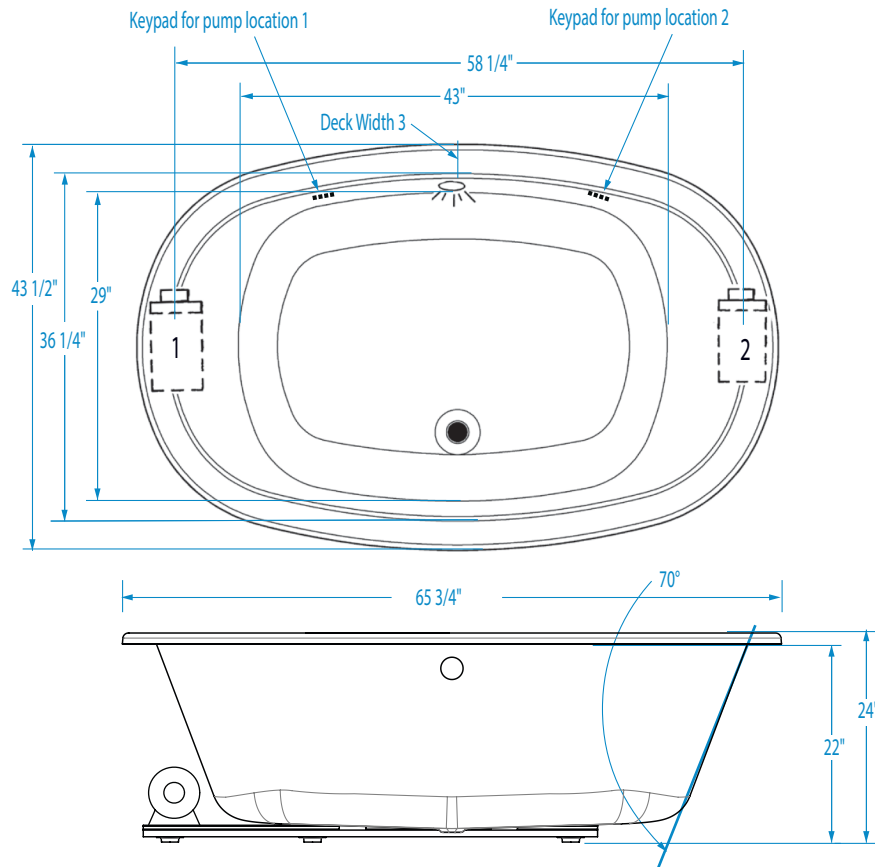
- 2 low-profile circulation portals
- 1.5 kW inline maintenance heater
- Ultra-quiet low flow circulation pump
- Electronic one-touch on/off control
- Heat-bent rigid PVC piping

Olive 6643C

Formerly Serenity 8

65 3/4" x 43 1/2" x 24 inches

Note: Drop-in Serenity models feature a pre-leveled support base.



FEATURES Dimensional Tolerance ± 3/8". Dimensions needed for site preparation should be measured from the unit. Manufacturer assumes no responsibility for preparatory work.

Type and Model #	Material	System	Powered By	Heater	Controls	Drain	Pkg. Wt. lbs
Soaker #W8AIR6643TO	Cast Acrylic	-	-	-	-	Center Front	158
HotSoak #W8AIR6643HS	Cast Acrylic	Water circulation	Pump	1.5 kW Inline maintenance	Electronic	Center Front	188
Air Bath #W8AIR6643	Cast Acrylic	Air injection	Variable speed blower	Integrated	Electronic	Center Front	188

DIMENSIONS inches

Width Inches	Depth Inches	Height Inches	Skirt Height
65 3/4	43 1/2	24	-

SUMP DATA inches

Capacity to Overflow gal	Min. Operating Capacity gal	WIDTH @ centerline		DEPTH @ centerline	
		Top	Bottom	Top	Bottom
109	-	58 1/4	43	36 1/4	29

PLUMBING DIMENSIONS inches

A	B	Drain Diameter / Clearance
2 1/2	13 1/4	

ELECTRICAL DATA

Component	Specification	Requirement
Heated Blower (Air Bath)	10.5 AMP; 120V	15 AMP; 120V, separate circuit; Class A GFCI
Pump (HotSoak)	1/15 HP; 1.3 AMP; 120V	20 AMP; 120V, separate circuit; Class A GFCI
Heater (HotSoak)	1.5 kW; 12 AMP; 120V	

- NOTES:
- Where applicable, utilize cut-out templates packed with unit for deck cutouts.
 - 16 x 16 minimum access required at pump/blower location(s).
 - For Low Profile Deck, framing height will need to be increased by an additional 1".
 - If a (3T) tiling flange is selected, then the keypad is located opposite of the flange.

Each Serenity air bath is equipped with an air heating system to raise the temperature of the air entering the bath. This air temperature will be lower than the bathing temperature of the water, but will help reduce rapid decrease in water temperature. In addition, the air coming from the air jets will feel cool against the skin. This system does not heat the water.