

# SAN SIMEON

ESTATE SERIES

60 x 37 ¾ x 20 ¼

SOAKER MODEL #W6038OTO

WHIRLPOOL MODEL #W6038O

AIR-WHIRLPOOL MODEL #W29LUX6038



## FEATURES ~

- Deep, ergonomic bathing well
- Sculpted armrests
- Pre-leveled support base
- Slip resistant floor
- Premium cast acrylic surface
- Limited lifetime warranty

Note: Not a drop-in model.  
Deck must be built around tub.

## AVAILABLE SYSTEMS

### WHIRLPOOL

- Electronic control
- 7 hydrotherapy jets
  - 3-jet back, shoulder and neck massage system (dual port, spinning)
  - Leg and foot jets
- Whirlpool pump

### AIR-WHIRLPOOL COMBINATION

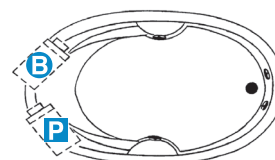
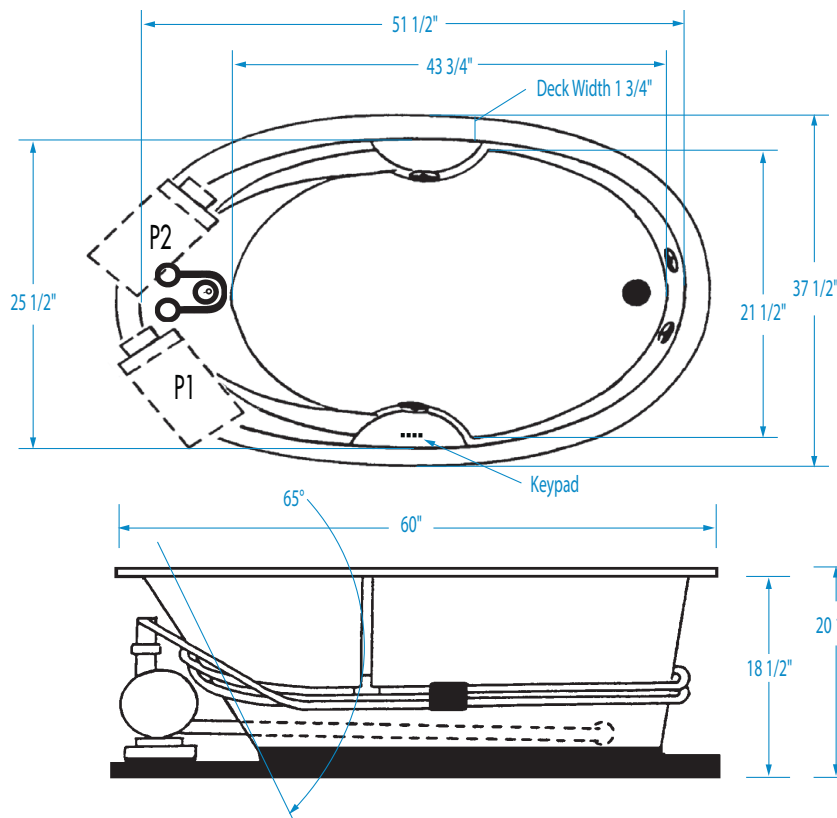
- Whirlpool system, plus:
- Perimeter air system
- Variable speed heated-air blower with purge and dry cycle
- Electronic wave and pulse modes
- 1.5kW inline maintenance heater



Rev. 04.05.21

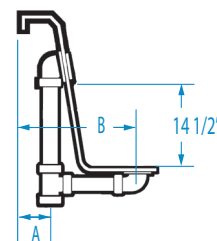
# SAN SIMEON

60 x 37 3/4 x 20 1/4 inches



Note: For Air-whirlpool, no alternate pump/blower location available.

Note: No Grab Bar option available.



**FEATURES** lbs (kg) Dimensional Tolerance ± 3/8". Dimensions needed for site preparation should be measured from the unit. Aquatic assumes no responsibility for preparatory work.

Type and Model #	Material	Jets	Pump	Air System	Blower	Heater	Controls	Drain	Pkg. Wt.
Soaker #W6038OTO	Cast Acrylic	0	-	-	-	-	-	Universal	139
Whirlpool #W6038O	Cast Acrylic	7	102 GPM	-	-	1.5 kw Inline (optional)	Electronic	Universal	179
Air-Whirlpool #W29LUX6038	Cast Acrylic	7	102 GPM	Channel	Variable speed	1.5 kw Inline	Electronic	Universal	209

## DIMENSIONS inches

Width Overall / Net	Depth Overall / Net	Height Overall / Net	Skirt Height
60	37 3/4	20 1/4	-

## SUMP DATA inches

Capacity to Overflow gal (ltr)	Min. Operating Capacity gal (ltr)	WIDTH @ centerline		DEPTH @ centerline	
		Top	Bottom	Top	Bottom
60	41	51 1/2	43 3/4	25 1/2	21 1/2

## PLUMBING DIMENSIONS inches

A	B	Drain Diameter / Clearance
2 1/2	9 3/8	2 / 1 3/4

## ELECTRICAL DATA

Component	Specification	Requirement
Pump	9 AMP; 120V	15 AMP; 120V, separate circuit; Class A GFCI
Optional Heater	1.5 kW; 12 AMP; 120V	15 AMP; 120V, separate circuit; Class A GFCI
Blower	1.0 HP; 9.5 AMP; 120V	15 AMP; 120V, separate circuit; Class A GFCI

**NOTES:**

1) Where applicable, utilize cut-out templates packed with unit for deck cutouts.

2) 16 x 16 minimum access required at pump/blower location(s).

3) If a (3T) tiling flange is selected, then the keypad is located opposite of the flange.

**NOTE:**

1) This whirlpool must be hard wired to the breaker box. Three outlets will be supplied on the air-whirlpool.