

# 6030SPAN – EVERYDAY SHOWER PANS

60 x 30 x 20 5/8 inches



Shown with optional brass drain assembly.

## FEATURES

- Shower pan
- Integral corner seat (left or right hand)
- Left or right hand drain
- Low, 3" threshold
- Extended tiling flange (3T)
- Slip-resistant, textured bottom
- AcrylX™ applied acrylic surface
- Lifetime limited warranty

## OPTIONS

- Coordinating wall set available (Model #6030FWS1)
- Brass drain assembly and cover

## AQUATIC ADVANTAGE

- National distribution
- 6 manufacturing facilities
- Private fleet
- Centralized customer service
- Field support

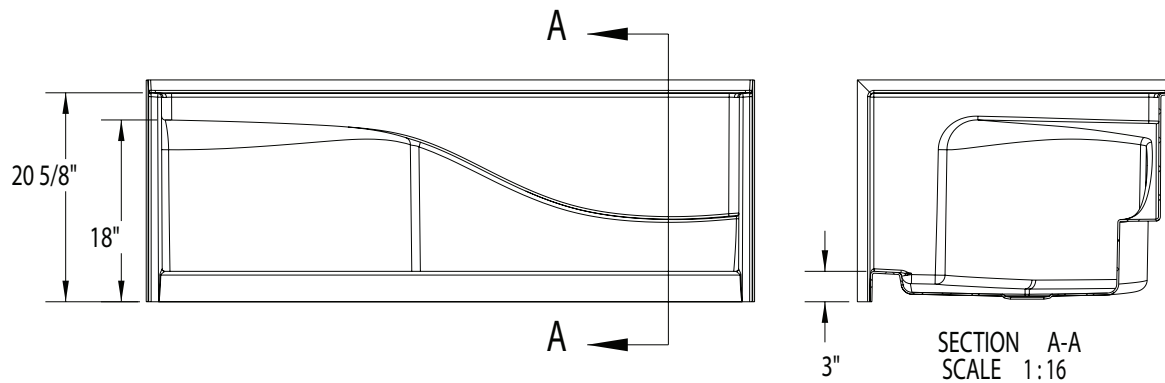
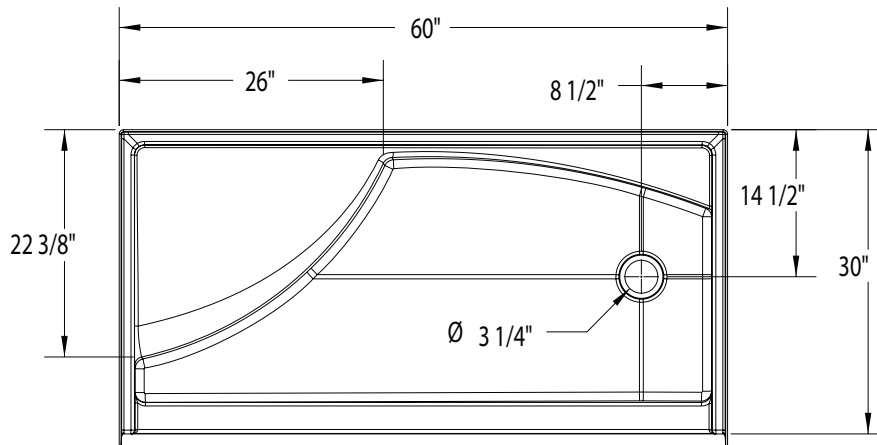
## COLOR OPTIONS

Stock	Upgraded	Premium
White	Almond Linen/Biscuit Bone	Black Mexican Sand Sand Bar Sterling Silver



# 6030SPAN

60 x 30 x 20 5/8 inches



**FEATURES** lbs Dimensional Tolerance  $\pm \frac{3}{8}$ ". Dimensions needed for site preparation should be measured from the unit. Aquatic assumes no responsibility for preparatory work.

Model #	Material	Drain	Net Wt.	Pkg. Wt.
Shower Pan #6030SPANL/R	AcrylX™	LH or RH	65	70

## DIMENSIONS

Specifications	inches
Width: Overall / Net	60
Depth: Overall / Net	31 1/4 / 30
Height: Overall / Net	21 7/8 / 20 5/8
Enclosure Opening	-
Skirt Height	3
Drain Rough-In (from Back Wall)	14 1/2
Drain Rough-In (from Side Wall)	8 1/2
Drain: Diameter / Clearance	3 1/4 / 1/4 (6)

## FRAMING DIMENSIONS inches

Type	D Depth	W Width	H Height	A	B	C
Alcove	31 1/4	60	-	Box Out	8 1/2	14 1/2

