

6032APANL/R – EVERYDAY SHOWER PANS

60 x 32 x 21 7/8 inches



Shown with optional brass drain assembly.

FEATURES

- Shower pan
- Slip-resistant, textured bottom
- Integral corner seat (left or right hand)
- Extended tiling flange (3T)
- Enhanced front profile
- Patented design features:
 - corner drainage channels
 - step-design finishing guides
 - extended nailing flange
- Left or right hand drain
- Premium cast acrylic surface
- Lifetime limited warranty

OPTIONS

- Brass drain assembly and cover

AQUATIC ADVANTAGE

- National distribution
- 7 manufacturing facilities
- Private fleet
- Centralized customer service
- Field support

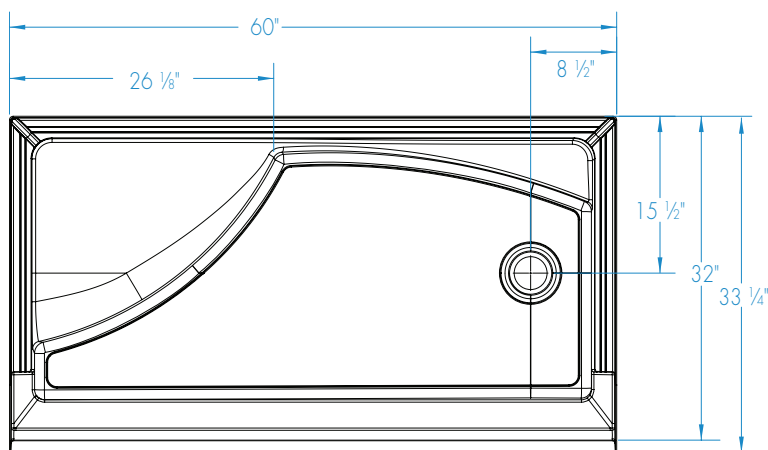
COLOR OPTIONS

Stock	Upgraded
White	Biscuit

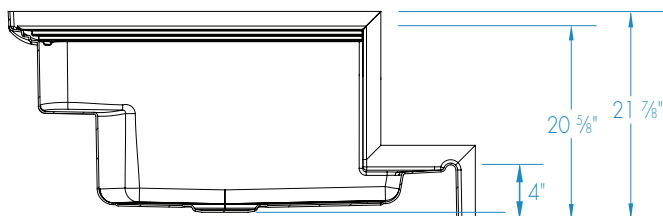


6032APANL/R

60 x 32 x 21 7/8 inches



Seat Height: 17 3/8"



FEATURES Dimensional Tolerance $\pm 3/8"$. Dimensions needed for site preparation should be measured from the unit. Aquatic assumes no responsibility for preparatory work.

Model #	Material	Drain	Net Wt. lbs.	Pkg. Wt. lbs.
Shower Pan #6032APANL/R	Cast Acrylic	LH or RH	63	68

DIMENSIONS

Specifications	inches
Width: Overall / Net	60
Depth: Overall / Net	33 1/4 / 32
Height: Overall / Net	21 7/8 / 20 5/8
Enclosure Opening	-
Skirt Height	4
Drain Rough-In (from Back Wall)	15 1/2
Drain Rough-In (from Side Wall)	8 1/2
Drain: Diameter / Clearance	3 1/4 / 1/2

FRAMING DIMENSIONS inches

Type	D Depth	W Width	H Height	A	B	C
Alcove	33 1/4	60 1/8	-	6	8 1/2	15 1/2

