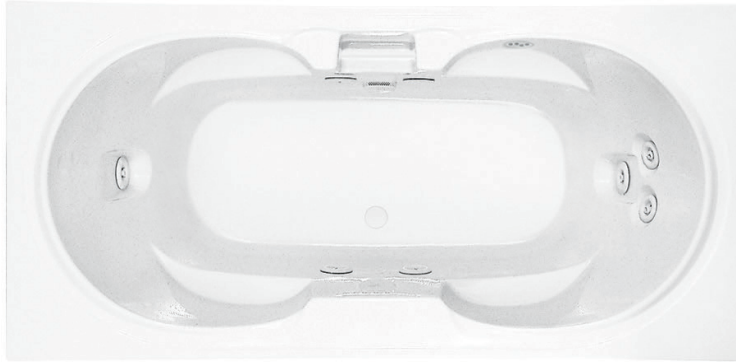


CASTAWAY

ESTATE SERIES

71 ½ x 36 x 24 ¼

WHIRLPOOL MODEL #W7236CL



FEATURES ~

- Deep, ergonomic bathing well
- Sculpted armrests
- Integral clear acrylic grab bar (1)
- Pre-leveled support base
- Slip resistant floor
- Premium cast acrylic surface
- Limited lifetime warranty



AVAILABLE SYSTEMS

WHIRLPOOL

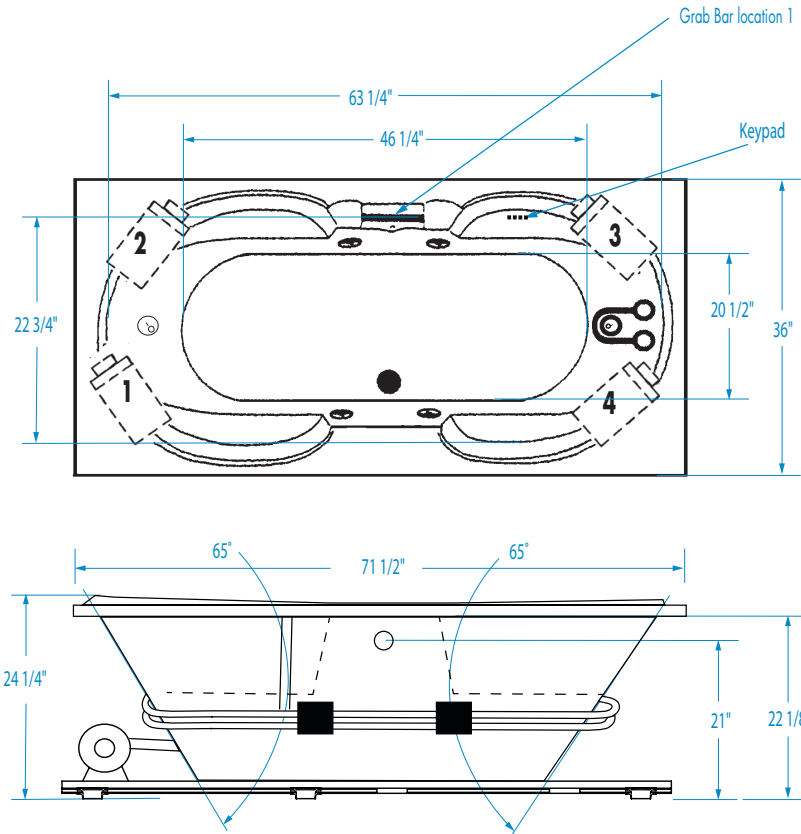
- Electronic control
- 8 hydrotherapy jets
 - 3-jet back, shoulder and neck massage system (dual port, spinning)
 - Leg and foot jets
- Whirlpool pump



Rev. 04.05.21

CASTAWAY

71 1/2 x 36 x 24 1/4 inches



FEATURES lbs (kg) Dimensional Tolerance ± 3/8". Dimensions needed for site preparation should be measured from the unit. Aquatic assumes no responsibility for preparatory work.

Type and Model #	Material	Jets	Pump	Heater	Controls	Drain	Pkg. Wt.
Whirlpool #W7236CL	Cast Acrylic	8	102 GPM	1.5 kw Inline (optional)	Electronic	Center Front	213

DIMENSIONS inches

Width Overall / Net	Depth Overall / Net	Height Overall / Net	Skirt Height
71 1/2	36	24 1/4 / 22 1/8	-

SUMP DATA inches

Capacity to Overflow gal (ltr)	Min. Operating Capacity gal (ltr)	WIDTH @ centerline		DEPTH @ centerline	
		Top	Bottom	Top	Bottom
80	61	63 1/4	46 1/4	22 3/4	20 1/2

PLUMBING DIMENSIONS inches

A	B	Drain Diameter / Clearance
4 1/2	12 3/4	2 / 1 1/8

ELECTRICAL DATA

Component	Specification	Requirement
Pump	9 AMP; 120V	15 AMP; 120V, separate circuit; Class A GFCI
Optional Heater	1.5 kW; 12 AMP; 120V	15 AMP; 120V, separate circuit; Class A GFCI

NOTES:

1) Where applicable, utilize cut-out templates packed with unit for deck cutouts.

2) 16 x 16 minimum access required at pump/blower location(s).

3) If a (3T) tiling flange is selected, then the keypad is located opposite of the flange.

NOTE:

1) This whirlpool must be hard wired to the breaker box.