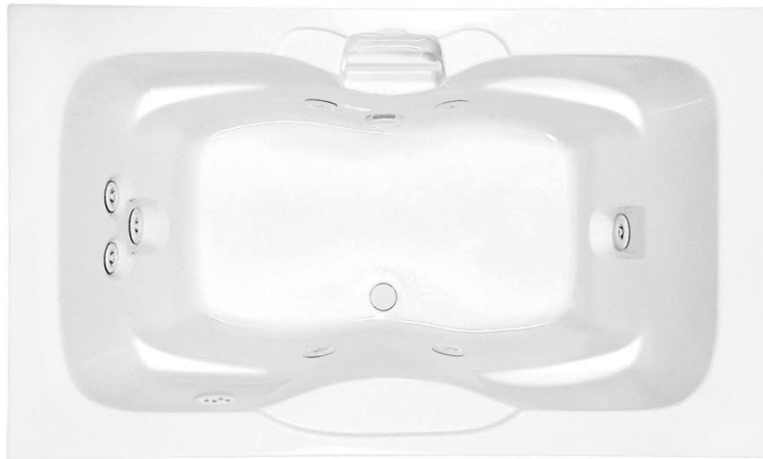


CLEARWATER, JR.

ESTATE SERIES

65 3/4 x 42 x 23 1/4

WHIRLPOOL MODEL #W6642R



FEATURES ~

- Deep, ergonomic bathing well
- Sculpted armrests
- Integral clear acrylic grab bar (1)
- Pre-leveled support base
- Slip resistant floor
- Premium cast acrylic surface
- Limited lifetime warranty



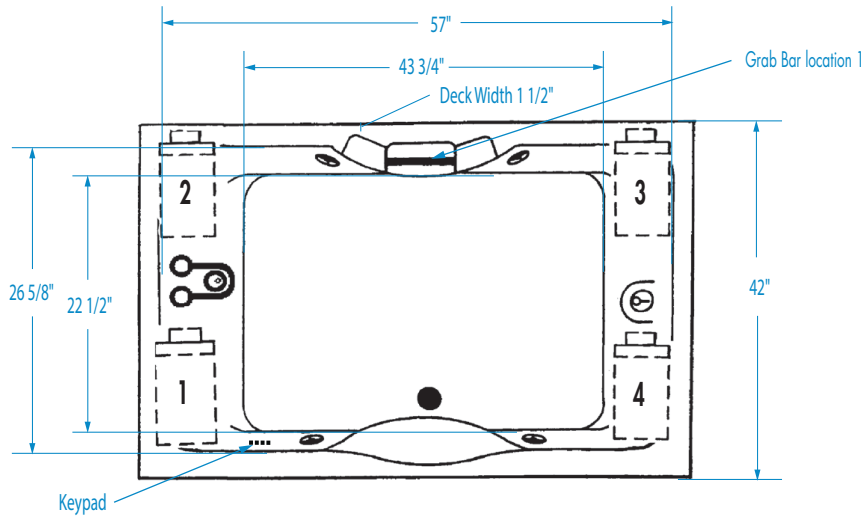
AVAILABLE SYSTEMS

WHIRLPOOL

- Electronic control
- 8 hydrotherapy jets
 - 3-jet back, shoulder and neck massage system (dual port, spinning)
 - Leg and foot jets
- Whirlpool pump

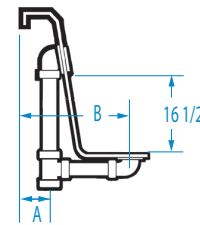
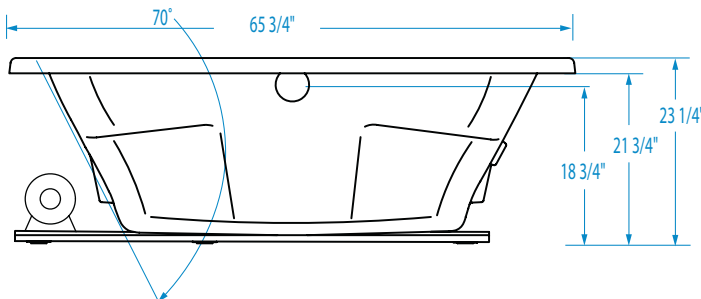


Rev. 04.05.21



CLEARWATER, JR.

65 3/4 x 42 x 23 1/4 inches



FEATURES lbs (kg) Dimensional Tolerance ± 3/8". Dimensions needed for site preparation should be measured from the unit. Aquatic assumes no responsibility for preparatory work.

Type and Model #	Material	Jets	Pump	Heater	Controls	Drain	Pkg. Wt.
Whirlpool #WV6642R	Cast Acrylic	8	102 GPM	1.5 kw Inline (optional)	Electronic	Center Front	159

DIMENSIONS inches

Width Overall / Net	Depth Overall / Net	Height Overall / Net	Skirt Height
65 3/4	42	23 1/4 / 21 3/4	-

SUMP DATA inches

Capacity to Overflow gal (ltr)	Min. Operating Capacity gal (ltr)	WIDTH @ centerline		DEPTH @ centerline	
		Top	Bottom	Top	Bottom
85	66	57	43 3/4	26 5/8	22 1/2

PLUMBING DIMENSIONS inches

A	B	Drain Diameter / Clearance
6 1/2	12 3/4	

ELECTRICAL DATA

Component	Specification	Requirement
Pump	9 AMP; 120V	15 AMP; 120V, separate circuit; Class A GFCI
Optional Heater	1.5 kW; 12 AMP; 120V	15 AMP; 120V, separate circuit; Class A GFCI

NOTES:

1) Where applicable, utilize cut-out templates packed with unit for deck cutouts.

2) 16 x 16 minimum access required at pump/blower location(s).

3) If a (3T) tiling flange is selected, then the keypad is located opposite of the flange.

NOTE:

1) This whirlpool must be hard wired to the breaker box.