

DEL RAY

ESTATE SERIES

72 x 47 ¾ x 24 ½

WHIRLPOOL MODEL #W7248R



FEATURES ~

- Deep, ergonomic bathing well
- Sculpted armrests
- Pre-leveled support base
- Slip resistant floor
- Premium cast acrylic surface
- Limited lifetime warranty



Two Person Bath

AVAILABLE SYSTEMS

WHIRLPOOL

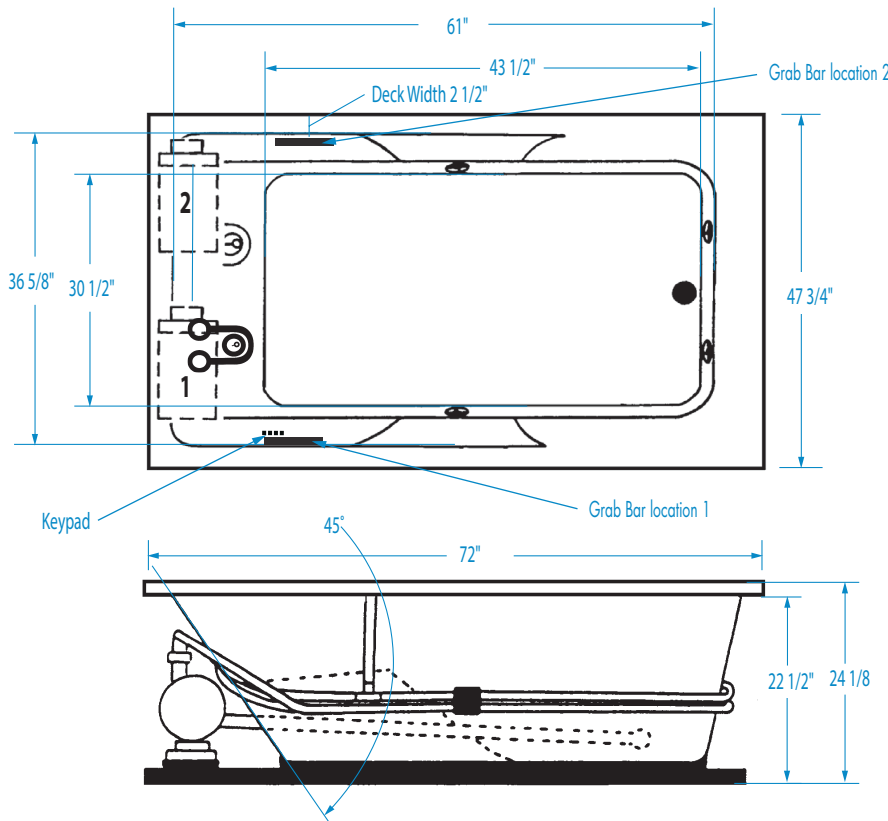
- Electronic control
- 8 hydrotherapy jets
 - 3-jet back, shoulder and neck massage system (dual port, spinning)
 - Leg and foot jets
- Whirlpool pump



Rev. 04.05.21

DEL REY

72 X 47 3/4 X 24 1/8 inches



FEATURES lbs (kg) Dimensional Tolerance ± 3/8". Dimensions needed for site preparation should be measured from the unit. Aquatic assumes no responsibility for preparatory work.

Type and Model #	Material	Jets	Pump	Heater	Controls	Drain	Pkg. Wt.
Whirlpool #W7248R	Cast Acrylic	8	102 GPM	1.5 kw Inline (optional)	Electronic	Universal	254

DIMENSIONS inches

Width Overall / Net	Depth Overall / Net	Height Overall / Net	Skirt Height
72	47 3/4	24 1/8	-

SUMP DATA inches

Capacity to Overflow gal (ltr)	Min. Operating Capacity gal (ltr)	WIDTH @ centerline		DEPTH @ centerline	
		Top	Bottom	Top	Bottom
131	111	61	43 1/2	36 5/8	30 1/2

PLUMBING DIMENSIONS inches

A	B	Drain Diameter / Clearance
3	10 7/8	

ELECTRICAL DATA

Component	Specification	Requirement
Pump	9 AMP; 120V	15 AMP; 120V, separate circuit; Class A GFCI
Optional Heater	1.5 kW; 12 AMP; 120V	15 AMP; 120V, separate circuit; Class A GFCI

NOTES:

1) Where applicable, utilize cut-out templates packed with unit for deck cutouts.

2) 16 x 16 minimum access required at pump/blower location(s).

3) If a (3T) tiling flange is selected, then the keypad is located opposite of the flange.

NOTE:

1) This whirlpool must be hard wired to the breaker box.