

Hanna 7240CF Formerly Serenity 17

71 ¾ x 39 ¼ x 24 ½ inches



Shown with optional towel bar

FEATURES

- Deep, ergonomic bathing well
- Freestanding design
- 2-person bathing
- Slip resistant floor
- Premium cast acrylic surface*
- Ships in wood crate
- Limited lifetime warranty

COLOR & TRIM OPTIONS

Stock	Premium
Biscuit White	Black Sterling Silver



* Interior bathing well and exterior shell can be different colors

AVAILABLE SYSTEMS

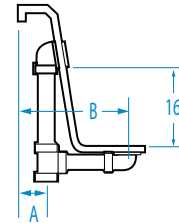
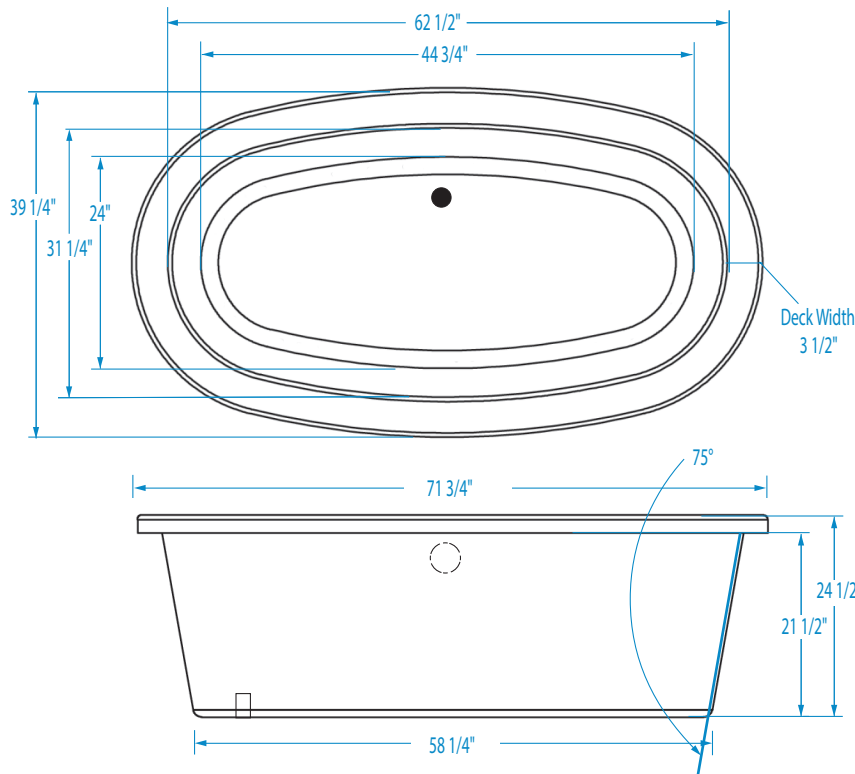
AIR BATH

- Perimeter air injectors
- Variable speed heated-air blower
- Automated purge and dry system
- Electronic control with wave and pulse features
- Remote blower kit with 25-ft cabling and remote control

Hanna 7240CF

Formerly Serenity 17

71 3/4 x 39 1/4 x 24 1/2 inches



Note: Low profile pedestal prohibits use of decorative drain pipe flange.

FEATURES

Dimensional Tolerance ± 3/8". Dimensions needed for site preparation should be measured from the unit. Manufacturer assumes no responsibility for preparatory work.

Type and Model #	Material	System	Powered By	Heater	Controls	Drain	Pkg. Wt. lbs
Soaker #WV17AIR7240FTO	Cast Acrylic	-	-	-	-	Center Front	270
Air Bath #WV17AIR7240F	Cast Acrylic	Channel	Variable speed blower	Inline	Integrated	Center Front	300

DIMENSIONS inches

Width Inches	Depth Inches	Height Inches	Skirt Height
71 3/4	39 1/4	24 1/2	-

SUMP DATA inches

Capacity to Overflow gal	Min. Operating Capacity gal	WIDTH @ centerline		DEPTH @ centerline	
		Top	Bottom	Top	Bottom
76	-	62 1/2	44 3/4	31 1/4	24

PLUMBING DIMENSIONS inches

A	B	Drain Diameter / Clearance
4 3/4	12 1/8	

ELECTRICAL DATA

Component	Specification	Requirement
Heated Blower (Air Bath)	10.5 AMP; 120V	15 AMP; 120V, separate circuit; Class A GFCI

NOTES:

- 1) Where applicable, utilize cut-out templates packed with unit for deck cutouts.
- 2) 16 x 16 minimum access required at pump/blower location(s).

Each Serenity air bath is equipped with an air heating system to raise the temperature of the air entering the bath. This air temperature will be lower than the bathing temperature of the water, but will help reduce rapid decrease in water temperature. In addition, the air coming from the air jets will feel cool against the skin. This system does not heat the water.