

INFINITY 2

INFINITY SERIES

70 x 35 x 30 3/4 inches

AIR-WHIRLPOOL MODEL #WI2INF7135A



Not a drop-in model. Deck must be built around unit.

FEATURES ~

- Raised seating
- Sculpted armrests
- Extra-soft magnetic comfort pillow
- Adjustable metal base
- Slip resistant floor
- Premium cast acrylic surface
- Limited lifetime warranty

SYSTEM FEATURES *(standard)*

AIR-WHIRLPOOL COMBINATION



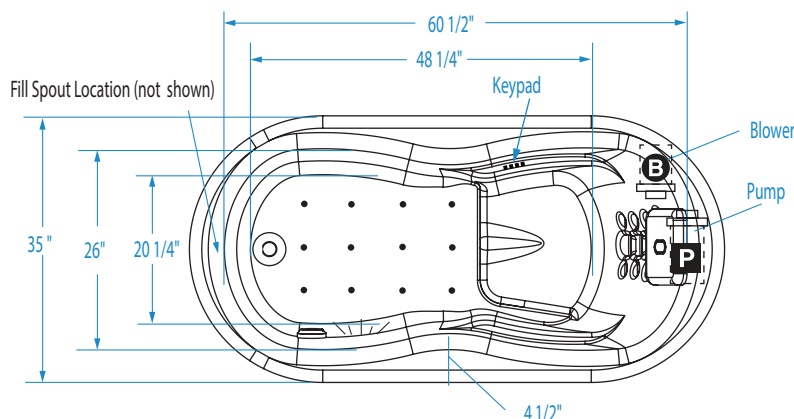
- Electronic control with preset capability
- 16 hydrotherapy jets
 - 12-jet heated-air shiatsu back massage system
 - Leg and foot jets
- Whirlpool pump
- 1.5kW inline maintenance heater
- High intensity LED chromatherapy light
- In-floor illusion air injectors
- Variable speed heated-air blower with wave and pulse modes
- Air system purge and dry cycle



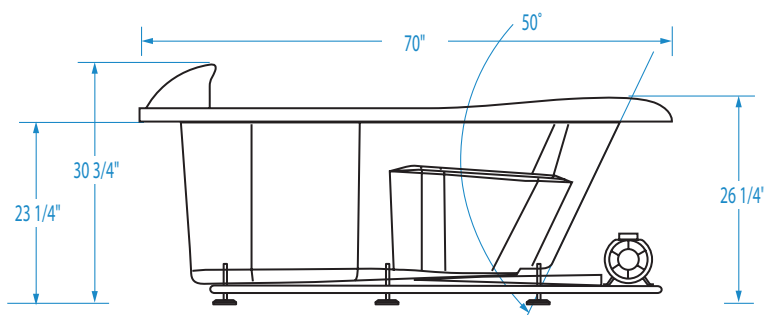
Rev. 04.05.21

INFINITY 2

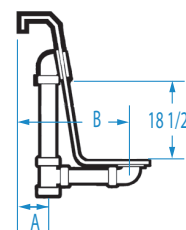
70 x 35 x 30 3/4 inches



No alternate pump location available.



Note: Infinity 2 is not a drop in model. A deck must be built around the tub.



Not a drop-in model. Deck must be built around unit. This unit has a 3/4" female waterfall fill spout connection.

FEATURES

Dimensional Tolerance ± 3/8". Dimensions needed for site preparation should be measured from the unit. Aquatic assumes no responsibility for preparatory work.

Type and Model #	Material	Jets	Pump	Air System	Blower	Heater	Controls	Drain	Pkg. Wt. lbs.
Air-whirlpool #WI2INF7135A	Cast Acrylic	16	102 GPM	Injector	Variable speed	1.5 kw Inline	Electronic	Universal	356

DIMENSIONS inches

Width Overall / Net	Depth Overall / Net	Height Overall / Net	Skirt Height
70	35	30 3/4	-

SUMP DATA inches

Capacity to Overflow gal (ltr)	Min. Operating Capacity gal (ltr)	WIDTH @ centerline		DEPTH @ centerline	
		Top	Bottom	Top	Bottom
102	69	60 1/2	48 1/4	26	20 1/4

PLUMBING DIMENSIONS inches

A	B	Drain Diameter / Clearance
2 3/8	9 1/2	2 / 2 3/4

ELECTRICAL DATA

Component	Specification	Requirement
Pump	9 AMP; 120 V	15 AMP 1 pole, separate circuit, Class A GFCI
Inline Heater	1.5 kW; 12 AMP; 120 V	15 AMP 1 pole, separate circuit, Class A GFCI
Blower	1.0 HP; 9.5 AMP; 120 V	15 AMP 1 pole, separate circuit, Class A GFCI

NOTES:

1) Where applicable, utilize cut-out templates packed with unit for deck cutouts.

2) 16 x 16 minimum access required at pump/blower location(s).