

# INFINITY 6

## INFINITY SERIES

72 x 44 x 28 3/4 inches

AIR-WHIRLPOOL MODEL #WI6INF7244A



### FEATURES

- Raised seating
- Extra-soft magnetic comfort pillow
- Adjustable metal base
- Slip resistant floor
- Premium cast acrylic surface
- Limited lifetime warranty



### SYSTEM FEATURES (standard)

#### AIR-WHIRLPOOL COMBINATION

- Electronic control with preset capability
- 17 hydrotherapy jets
  - 12-jet heated-air shiatsu back massage system
  - Back, leg and foot jets
- Whirlpool pump
- 1.5kW inline maintenance heater
- High intensity LED chromotherapy light
- In-floor illusion air injectors
- Variable speed heated-air blower with wave and pulse modes
- Air system purge and dry cycle



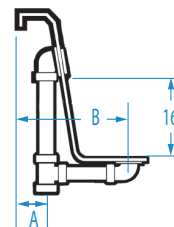
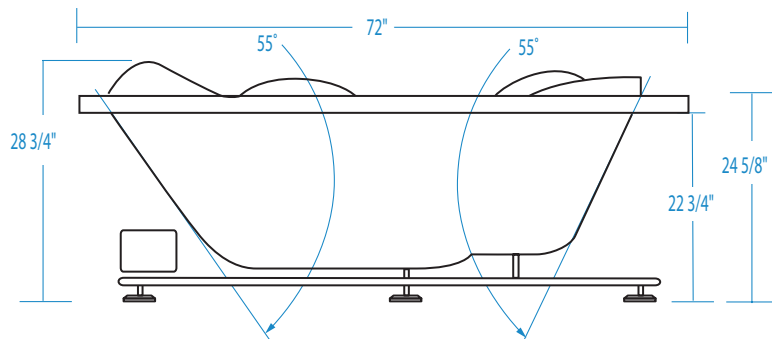
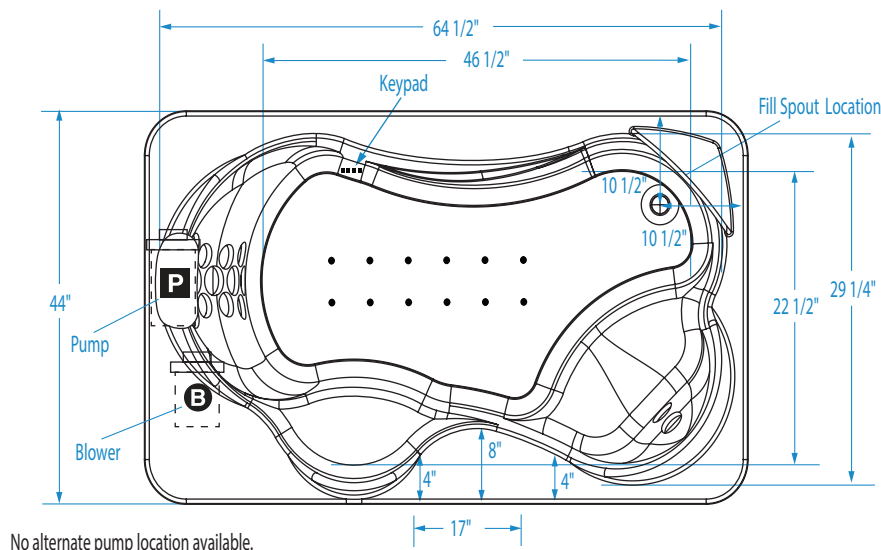
Rev. 04.05.21

# INFINITY 6

72 x 44 x 28 3/4 inches



This unit has a 3/4" female waterfall fill spout connection.



## FEATURES

Dimensional Tolerance  $\pm 3/8"$ . Dimensions needed for site preparation should be measured from the unit. Aquatic assumes no responsibility for preparatory work.

| Type and Model #           | Material     | Jets | Pump    | Air System | Blower         | Heater        | Controls   | Drain     | Pkg. Wt. lbs |
|----------------------------|--------------|------|---------|------------|----------------|---------------|------------|-----------|--------------|
| Air-whirlpool #WI6INF7244A | Cast Acrylic | 17   | 102 GPM | Injector   | Variable speed | 1.5 kw Inline | Electronic | Universal | 480          |

## DIMENSIONS inches

| Width Overall / Net | Depth Overall / Net | Height Overall / Net | Skirt Height |
|---------------------|---------------------|----------------------|--------------|
| 72                  | 44                  | 28 3/4               | -            |

## SUMP DATA inches

| Capacity to Overflow gal (ltr) | Min. Operating Capacity gal (ltr) | WIDTH @ centerline |        | DEPTH @ centerline |        |
|--------------------------------|-----------------------------------|--------------------|--------|--------------------|--------|
|                                |                                   | Top                | Bottom | Top                | Bottom |
| 117                            | 98                                | 64 1/2             | 46 1/2 | 29 1/4             | 22 1/2 |

## PLUMBING DIMENSIONS inches

| A | B      | Drain Diameter / Clearance |
|---|--------|----------------------------|
| 5 | 10 1/2 |                            |

## ELECTRICAL DATA

| Component     | Specification          | Requirement                                   |
|---------------|------------------------|---|
| Pump          | 9 AMP; 120 V           | 15 AMP 1 pole, separate circuit, Class A GFCI |
| Inline Heater | 1.5 kW; 12 AMP; 120 V  | 15 AMP 1 pole, separate circuit, Class A GFCI |
| Blower        | 1.0 HP; 9.5 AMP; 120 V | 15 AMP 1 pole, separate circuit, Class A GFCI |

### NOTES:

1) Where applicable, utilize cut-out templates packed with unit for deck cutouts.

2) 16 x 16 minimum access required at pump/blower location(s).