

# MILLENNIUM 8

71 ½ x 71 ½ x 33 ¼ inches



Overflow  
located  
underneath  
fill spout



## FEATURES

- Dual hydrotherapy bath with independent bathing zones
- Raised seating
- Sculpted armrests
- Molded footrests
- Two extra-soft magnetic comfort pillows
- Adjustable metal base
- Slip resistant floor
- Premium cast acrylic surface
- Limited lifetime warranty



Two Person Bath

## AVAILABLE SYSTEMS

### AIR-WHIRLPOOL COMBINATION

- Dual bathing zones with independent electronic controls
- 24 hydrotherapy jets
  - 12-jet heated-air shiatsu back massage system
  - Elbow and wrist jets
  - Knee and foot jets
  - Back massage jets
- 2 independent pumps (one for each bathing zone)
- 1.5kW inline maintenance heater
- High intensity LED chromotherapy lights (3)
- In-floor illusion air injectors
- Variable speed heated-air blower with wave and pulse modes
- Air system purge and dry cycle
- Floating remote control



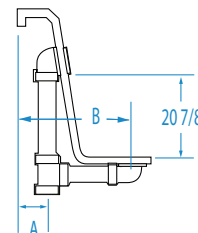
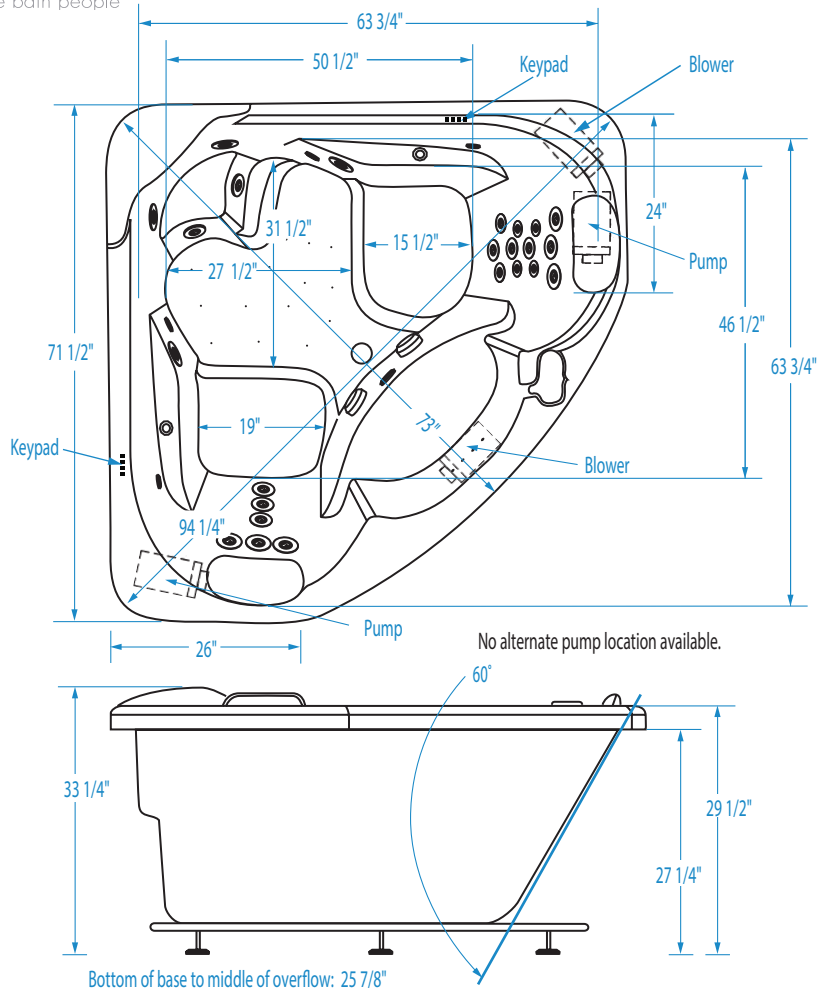
Rev. 04.05.21

# MILLENNIUM 8

71 1/2 x 71 1/2 x 33 1/4 inches



This unit has a 3/4" female waterfall fill spout connection.



**FEATURES** Dimensional Tolerance ± 3/8". Dimensions needed for site preparation should be measured from the unit. Aquatic assumes no responsibility for preparatory work.

Type and Model #	Material	Jets	Pump	Air System	Blower	Heater	Controls	Drain	Pkg. Wt. lbs.
Air-Whirlpool #W8MIL7272	Cast Acrylic	24	102 GPM (2)	Injector	Variable speed (2)	1.5 kw Inline	Electronic	Center	862

**DIMENSIONS** inches

Width Overall / Net	Depth Overall / Net	Height Overall / Net	Skirt Height
71 1/2	71 1/2	33 1/4	-

**INTERIOR BATHING WELL** inches

Capacity to Overflow gal (ltr)	Min. Operating Capacity gal (ltr)	WIDTH @ centerline		DEPTH @ centerline	
		Top	Bottom	Top	Bottom
192	170	63 3/4	50 1/2	63 3/4	46 1/2

**PLUMBING DIMENSIONS** inches (mm)

A	B	Drain Diameter / Clearance
6 1/8	41	2 / 3 1/2

**ELECTRICAL DATA**

Component	Specification	Requirement
Electronic Control Package		(2) 240V; 15AMP w/ GFCI; 4-Wire w/ Dedicated Neutral

**NOTES:**

- 1) Where applicable, utilize cut-out templates packed with unit for deck cutouts.
- 2) 16 x 16 minimum access required at pump/blower location(s).