

# PAGOSA MOTIF

ESTATE SERIES

65 ¾ x 42 ½ x 24 ¼

WHIRLPOOL MODEL #W6642M

AIR-WHIRLPOOL MODEL #W35LUX6642



## FEATURES ~

- Deep, ergonomic bathing well
- Pre-leveled support base
- Slip resistant floor
- Premium cast acrylic surface
- Limited lifetime warranty



## AVAILABLE SYSTEMS

### WHIRLPOOL

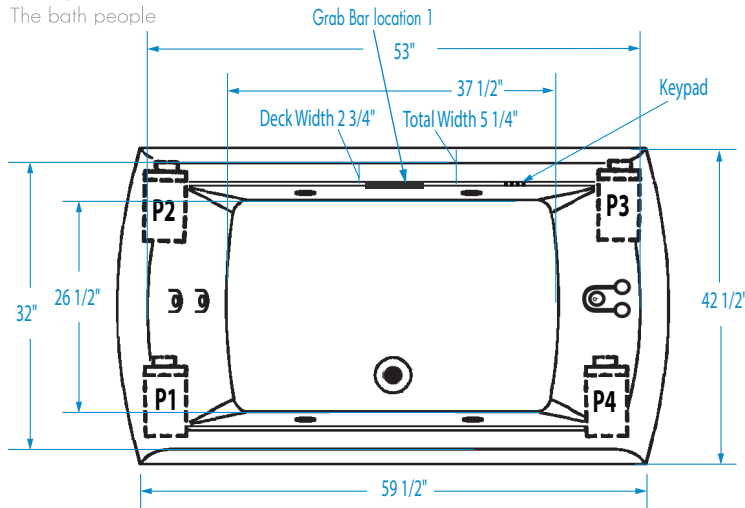
- Electronic control
- 9 hydrotherapy jets
  - 3-jet back, shoulder and neck massage system (dual port, spinning)
  - Leg and foot jets
- Whirlpool pump

### AIR-WHIRLPOOL COMBINATION

- Whirlpool system, plus:
- Perimeter air system
- Variable speed heated-air blower with purge and dry cycle
- Electronic wave and pulse modes
- 1.5kW inline maintenance heater

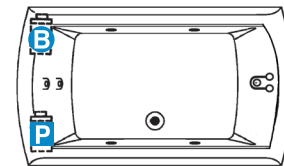


Rev. 04.05.21

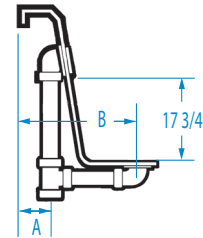
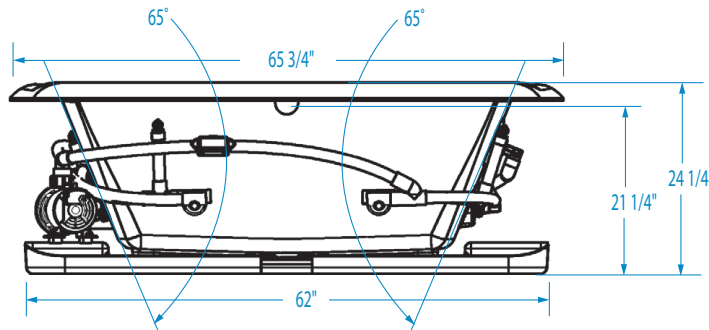


# PAGOSA MOTIF

65 3/4 x 42 1/2 x 24 1/4 inches



Note: For Air-whirlpool, no alternate pump/blower location available.



**FEATURES** lbs (kg) Dimensional Tolerance ± 3/8". Dimensions needed for site preparation should be measured from the unit. Aquatic assumes no responsibility for preparatory work.

Type and Model #	Material	Jets	Pump	Air System	Blower	Heater	Controls	Drain	Pkg. Wt.
Whirlpool #W6642M	Cast Acrylic	9	102 GPM	—	—	1.5 kw Inline (optional)	Electronic	Center Front	216
Air-Whirlpool #W35LUX6642	Cast Acrylic	9	102 GPM	Channel	Variable speed	1.5 kw Inline	Electronic	Center Front	236

## DIMENSIONS inches

Width Overall / Net	Depth Overall / Net	Height Overall / Net	Skirt Height
65 3/4	42 1/2	24 1/4 / 21 1/4	—

## SUMP DATA inches

Capacity to Overflow gal (ltr)	Min. Operating Capacity gal (ltr)	WIDTH @ centerline		DEPTH @ centerline	
		Top	Bottom	Top	Bottom
93	74	53	37 1/2	32	26 1/2

## PLUMBING DIMENSIONS inches

A	B	Drain Diameter / Clearance
3 3/4	12 1/2	

## ELECTRICAL DATA

Component	Specification	Requirement
Pump	9 AMP; 120V	15 AMP; 120V, separate circuit; Class A GFCI
Inline Heater	1.5 kW; 12 AMP; 120V	15 AMP; 120V, separate circuit; Class A GFCI
Blower	1.0 HP; 9.5 AMP; 120V	15 AMP; 120V, separate circuit; Class A GFCI

### NOTES:

1) Where applicable, utilize cut-out templates packed with unit for deck cutouts.

2) 16 x 16 minimum access required at pump/blower location(s).

3) If a (3T) tiling flange is selected, then the keypad is located opposite of the flange.

### NOTE:

1) This whirlpool must be hard wired to the breaker box. Three outlets will be supplied on the air-whirlpool.