

POINT REYES

ESTATE SERIES

72 x 39 ¼ x 22 7/8

WHIRLPOOL MODEL #W7240R

AIR-WHIRLPOOL MODEL #W25LUX7240



FEATURES ~

- Deep, ergonomic bathing well
- Sculpted armrests
- Pre-leveled support base
- Slip resistant floor
- Premium cast acrylic surface
- Limited lifetime warranty

AVAILABLE SYSTEMS

WHIRLPOOL

- Electronic control
- 7 hydrotherapy jets
 - 3-jet back, shoulder and neck massage system (dual port, spinning)
 - Leg and foot jets
- Whirlpool pump

AIR-WHIRLPOOL COMBINATION

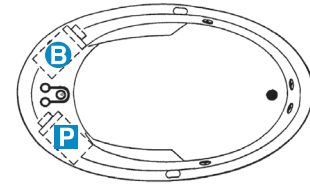
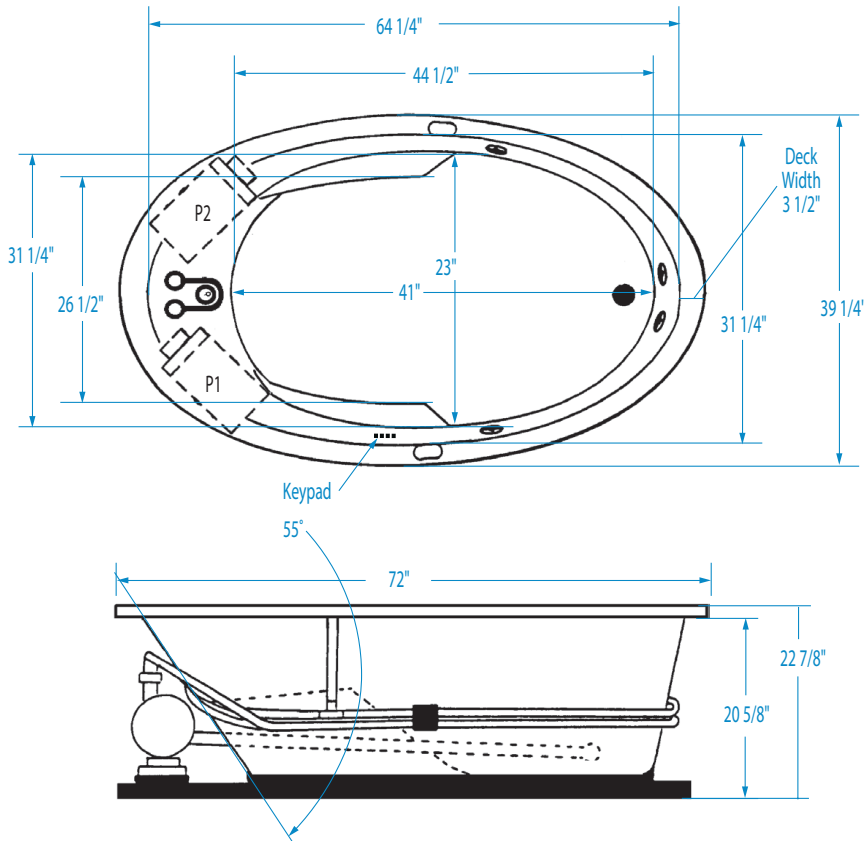
- Whirlpool system, plus:
- Perimeter air system
- Variable speed heated-air blower with purge and dry cycle
- Electronic wave and pulse modes
- 1.5kW inline maintenance heater



Rev. 04.05.21

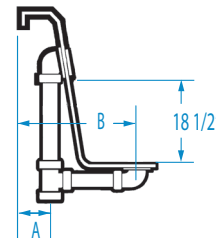
POINT REYES

72 x 39 1/4 x 22 7/8 inches



Note: For Air-whirlpool, no alternate pump/blower location available.

Note: No Grab Bar option available.



FEATURES lbs (kg) Dimensional Tolerance ± 3/8". Dimensions needed for site preparation should be measured from the unit. Aquatic assumes no responsibility for preparatory work.

Type and Model #	Material	Jets	Pump	Air System	Blower	Heater	Controls	Drain	Pkg. Wt.
Whirlpool #W7240R	Cast Acrylic	7	102 GPM	—	—	1.5 kw Inline (optional)	Electronic	Universal	194
Air-Whirlpool #W25LUX7240	Cast Acrylic	7	102 GPM	Channel	Variable speed	1.5 kw Inline	Electronic	Universal	245

DIMENSIONS inches

Width Overall / Net	Depth Overall / Net	Height Overall / Net	Skirt Height
72	39 1/4	22 7/8 / 20 7/8	—

SUMP DATA inches

Capacity to Overflow gal (ltr)	Min. Operating Capacity gal (ltr)	WIDTH @ centerline		DEPTH @ centerline	
		Top	Bottom	Top	Bottom
86	67	64 1/4	44 1/2	31 1/4	26 1/2

PLUMBING DIMENSIONS inches

A	B	Drain Diameter / Clearance
6 3/4	16 3/4	2 / 3/4

ELECTRICAL DATA

Component	Specification	Requirement
Pump	9 AMP; 120V	15 AMP; 120V, separate circuit; Class A GFCI
Optional Heater	1.5 kW; 12AMP; 120V	15 AMP; 120V, separate circuit; Class A GFCI
Blower	1.0 HP; 9.5 AMP; 120V	15 AMP; 120V, separate circuit; Class A GFCI

NOTES:

1) Where applicable, utilize cut-out templates packed with unit for deck cutouts.

2) 16 x 16 minimum access required at pump/blower location(s).

3) If a (3T) tiling flange is selected, then the keypad is located opposite of the flange.

NOTE:

1) This whirlpool must be hard wired to the breaker box. Three outlets will be supplied on the air-whirlpool.