

RIVIERA MOTIF

ESTATE SERIES



72 x 42 x 23 3/4

WHIRLPOOL MODEL #W7242M

AIR-WHIRLPOOL MODEL #W33LUX7242



FEATURES ~

- Deep, ergonomic bathing well
- Pre-levleled support base
- Slip resistant floor
- Premium cast acrylic surface
- Limited lifetime warranty



Two Person Bath

AVAILABLE SYSTEMS

WHIRLPOOL

- Electronic control
- 9 hydrotherapy jets
 - 3-jet back, shoulder and neck massage system (dual port, spinning)
 - Leg and foot jets
- Whirlpool pump

AIR-WHIRLPOOL COMBINATION

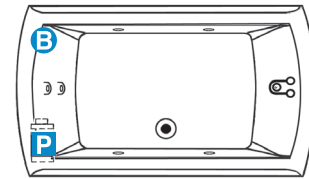
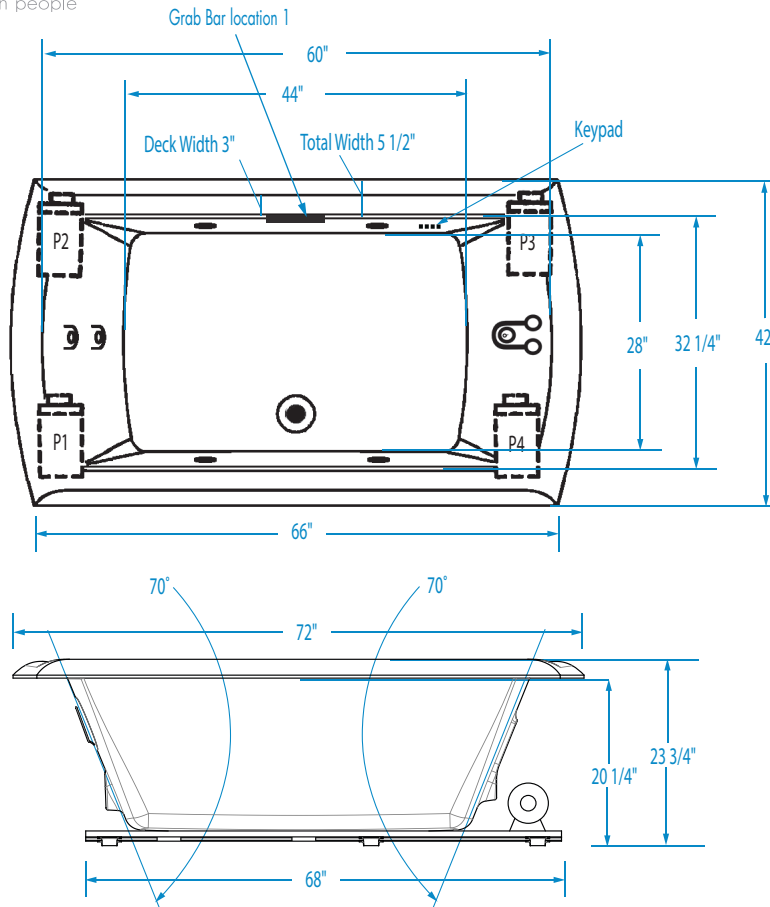
- Whirlpool system, plus:
- Perimeter air system
- Variable speed heated-air blower with purge and dry cycle
- Electronic wave and pulse modes
- 1.5kW inline maintenance heater



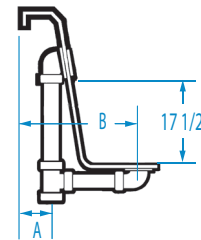
Rev. 04.05.21

RIVIERA MOTIF

72 x 42 x 23 3/4 inches



Note: For Air-whirlpool, no alternate pump/blower location available.



FEATURES lbs (kg) Dimensional Tolerance ± 3/8". Dimensions needed for site preparation should be measured from the unit. Aquatic assumes no responsibility for preparatory work.

Type and Model #	Material	Jets	Pump	Air System	Blower	Heater	Controls	Drain	Pkg. Wt.
Whirlpool #W7242M	Cast Acrylic	9	102 GPM	—	—	1.5 kw Inline (optional)	Electronic	Center Front	249
Air-Whirlpool #W33LUX7242	Cast Acrylic	9	102 GPM	Channel	Variable speed	1.5 kw Inline	Electronic	Center Front	257

DIMENSIONS inches

Width Overall / Net	Depth Overall / Net	Height Overall / Net	Skirt Height
72	42	23 3/4 / 21	—

SUMP DATA inches

Capacity to Overflow gal (ltr)	Min. Operating Capacity gal (ltr)	WIDTH @ centerline		DEPTH @ centerline	
		Top	Bottom	Top	Bottom
106	87	60	44	32 1/4	28

PLUMBING DIMENSIONS inches

A	B	Drain Diameter / Clearance
3 1/2	12 1/4	2 / 1 3/4

ELECTRICAL DATA

Component	Specification	Requirement
Pump	9 AMP; 120V	15 AMP; 120V, separate circuit; Class A GFCI
Optional Heater	1.5 kW; 12 AMP; 120V	15 AMP; 120V, separate circuit; Class A GFCI
Blower	1.0 HP; 9.5 AMP; 120V	15 AMP; 120V, separate circuit; Class A GFCI

NOTES:

1) Where applicable, utilize cut-out templates packed with unit for deck cutouts.

2) 16 x 16 minimum access required at pump/blower location(s).

3) If a (3T) tiling flange is selected, then the keypad is located opposite of the flange.

NOTE:

1) This whirlpool must be hard wired to the breaker box. Three outlets will be supplied on the air-whirlpool.