

# UNIVERSAL OVAL

ESTATE SERIES

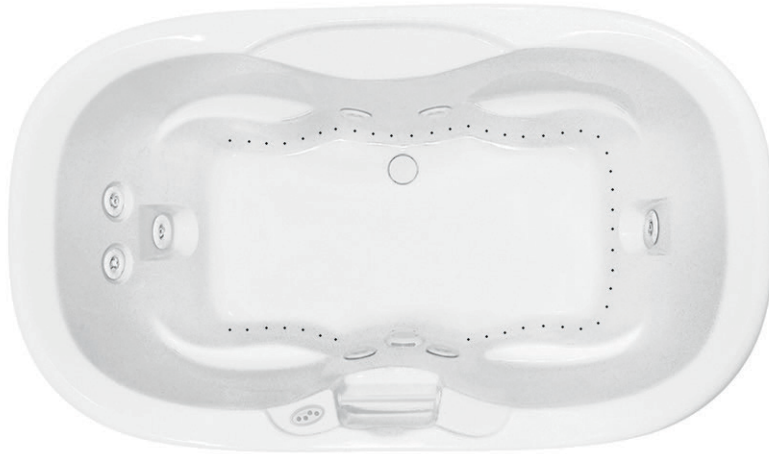


70 x 41 3/4 x 26 1/4

SOAKER MODEL #W7242RUOTO

WHIRLPOOL MODEL #W7242RUO

AIR-WHIRLPOOL MODEL #W21LUX7042



## FEATURES ~

- Deep, ergonomic bathing well
- Sculpted armrests
- Integral clear acrylic grab bar (1)
- Pre-leveled support base
- Slip resistant floor
- Premium cast acrylic surface
- Limited lifetime warranty



## AVAILABLE SYSTEMS

### WHIRLPOOL

- Electronic control
- 8 hydrotherapy jets
  - 3-jet back, shoulder and neck massage system (dual port, spinning)
  - Leg and foot jets
- Whirlpool pump

### AIR-WHIRLPOOL COMBINATION

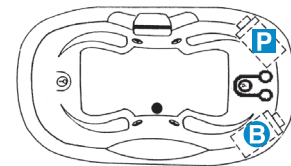
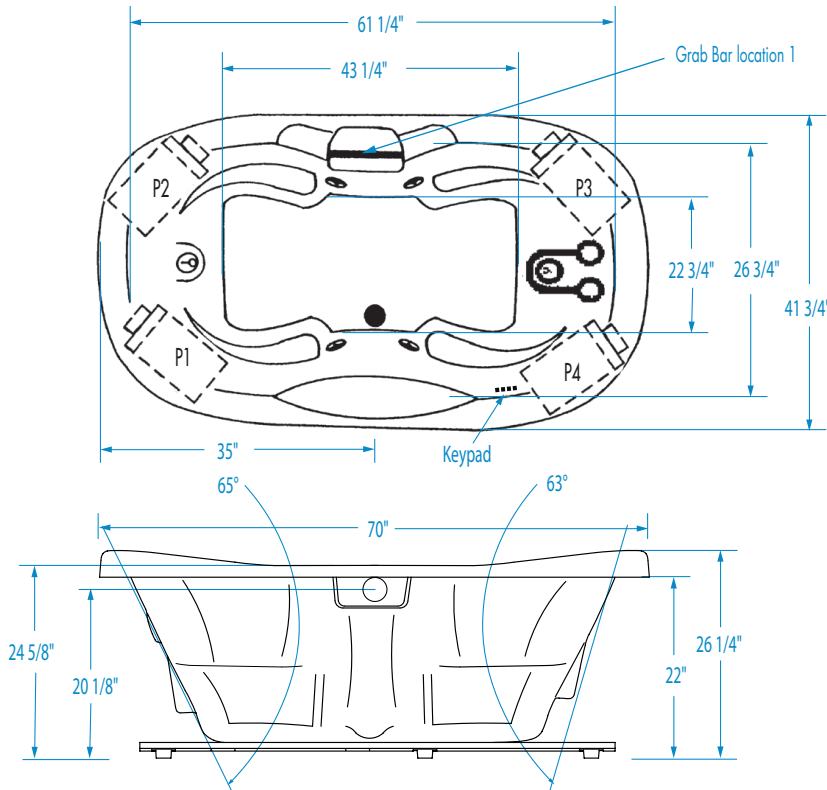
- Whirlpool system, plus:
- Perimeter air system
- Variable speed heated-air blower with purge and dry cycle
- Electronic wave and pulse modes
- 1.5kW inline maintenance heater



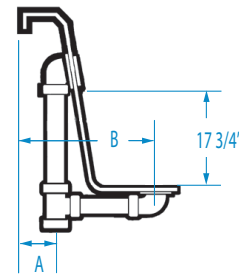
Rev. 04.05.21

# UNIVERSAL OVAL

70 x 41 3/4 x 26 1/4 inches



Note: For Air-whirlpool, no alternate pump/blower location available.



**FEATURES** lbs (kg) Dimensional Tolerance ± 3/8". Dimensions needed for site preparation should be measured from the unit. Aquatic assumes no responsibility for preparatory work.

| Type and Model #          | Material     | Jets | Pump    | Air System | Blower         | Heater                   | Controls   | Drain        | Pkg. Wt. |
|---------------------------|--------------|------|---------|------------|----------------|--------------------------|------------|--------------|----------|
| Soaker #W7242RUOTO        | Cast Acrylic | 0    | -       | -          | -              | -                        | -          | Center Front | 169      |
| Whirlpool #W7242RUO       | Cast Acrylic | 8    | 102 GPM | -          | -              | 1.5 kw Inline (optional) | Electronic | Center Front | 219      |
| Air-Whirlpool #W21LUX7042 | Cast Acrylic | 8    | 102 GPM | Channel    | Variable speed | 1.5 kw Inline            | Electronic | Center Front | 256      |

## DIMENSIONS inches

| Width<br>Overall / Net | Depth<br>Overall / Net | Height<br>Overall / Net | Skirt<br>Height |
|------------------------|------------------------|-------------------------|-----------------|
| 70                     | 41 3/4                 | 26 1/4                  | -               |

## SUMP DATA inches

| Capacity to<br>Overflow<br>gal (ltr) | Min. Operating<br>Capacity<br>gal (ltr) | WIDTH @ centerline |        | DEPTH @ centerline |        |
|--------------------------------------|---|--------------------|--------|--------------------|--------|
|                                      |   | Top                | Bottom | Top                | Bottom |
| 95                                   | 76                                      | 61 1/4             | 43 1/4 | 26 3/4             | 22 3/4 |

## PLUMBING DIMENSIONS inches

| A     | B      | Drain<br>Diameter /<br>Clearance |
|-------|--------|----------------------------------|
| 6 1/2 | 13 1/4 | 2 / 3/4                          |

## ELECTRICAL DATA

| Component       | Specification         | Requirement                                  |
|-----------------|-----------------------|--|
| Pump            | 9 AMP; 120V           | 15 AMP; 120V, separate circuit; Class A GFCI |
| Optional Heater | 1.5 kW; 12 AMP; 120V  | 15 AMP; 120V, separate circuit; Class A GFCI |
| Blower          | 1.0 HP; 9.5 AMP; 120V | 15 AMP; 120V, separate circuit; Class A GFCI |

- NOTES:
- 1) Where applicable, utilize cut-out templates packed with unit for deck cutouts.
  - 2) 16 x 16 minimum access required at pump/blower location(s).
  - 3) If a (3T) tiling flange is selected, then the keypad is located opposite of the flange.

NOTE:  
1) This whirlpool must be hard wired to the breaker box. Three outlets will be supplied on the air-whirlpool.